



MB5X158 Pendulum Suspension Grinding Mill

Reach new height with KEFID

- High efficiency and low energy consumption
- Powerful collecting powder and long life
- Thin oil lubrication technology
- Volute damping structure





As China's largest crushing plant, mill equipments and beneficiation plants production base, kefid has exported large quantities and high-end mobile crushing plant and milling equipments to Russia, Kazakhstan, Indonesia, Ecuador, South Africa, Nigeria, Turkey more than 100 countries and regions and have solved about thousands of and beneficiation projects all over the world, which has made tremendous contributions to the local construction, mining industry and developments.

MB5X pendulum suspension grinding mill is the fifth generation of pendulum suspension grinding mill with a number of invention patented technologies developed and manufactured by Kefid Machinery based on thirty years of product data accumulation and experimental analysis. It is suitable for grinding various of non-flammable and non-explosive brittle minerals with Mohs hardness below 7 and water content below 6%. MB5X pendulum suspension grinding mill represents the most advanced grinding technology of suspension grinding mill. The new structural design make the equipment operation and maintenance costs reduced, environmental protection stronger and material quality better. It can be widely used in metallurgy, building materials, mining and chemical industry.



MB5X series pendulum suspension grinding mill has high efficiency, low cost and long life.

1. Thin oil lubricating grinding roller device, low maintenance cost.

Grinding roller device adopts thin oil lubrication, which is a technology initiated domestically, and it is maintenance-free and easy to operate.

2. Cancel shovel blade cylinder structure, improving the grinding efficiency. The increased chamber space will allow bigger roller diameter, thus increase the grinding pressure. Besides, larger vent area will reduce wind resistance.

3. Volute elastic damping structure improve the stability of the equipment. MB5X158 Grinding Mill is different from other grinding plants which has rigidity connection by bolts between volute and bed. This new mill adopts damping structure with thickened rubber mat,

which avoids damage by vibration of volute and airframe and reduce vibration of classifier.

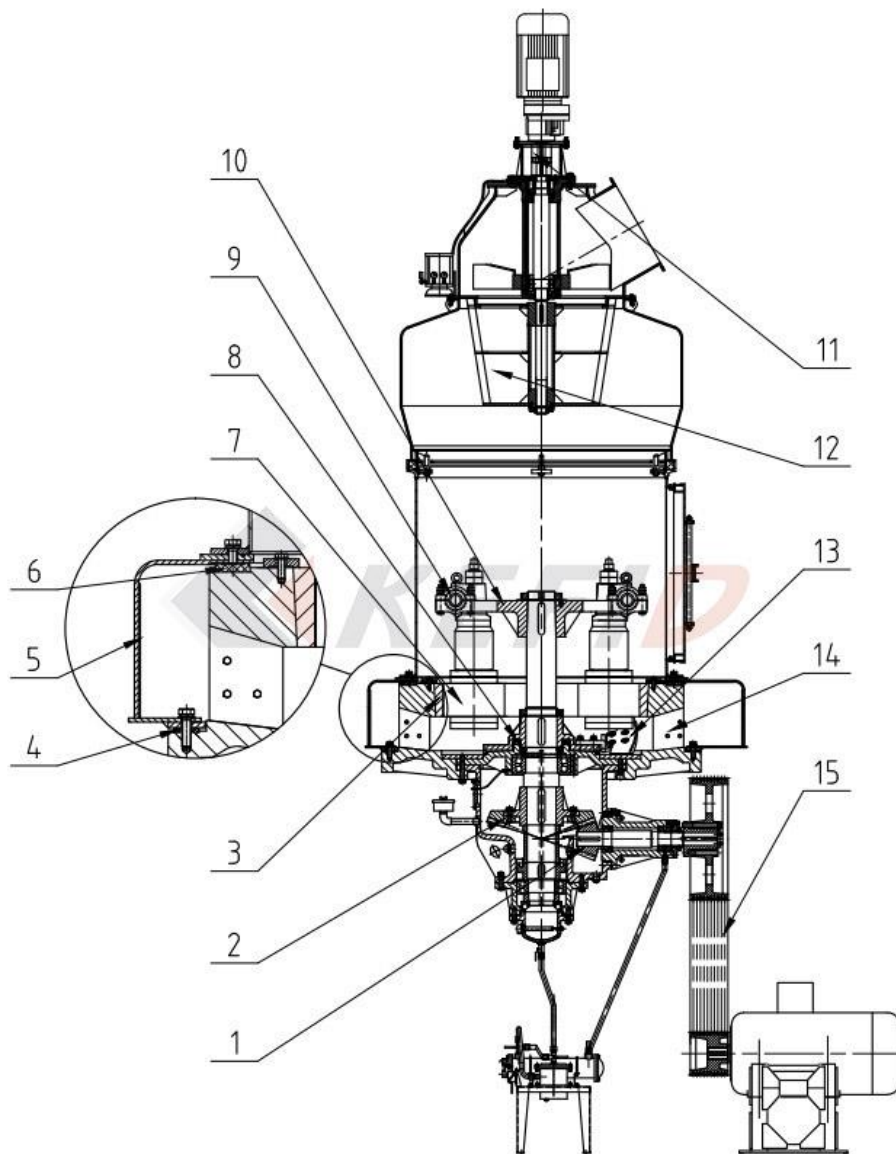
4. Diluted oil lubricating method realizes excellent stability performance of equipment. The main-shaft bearing, transmission-shaft bearing and gear engagement surface are all supplied with cyclic oil lubrication and heat dissipation by built-in oil pump with automatic operation ever without manual operation, which can timely and effectively ensure operating stability of the host.

5. Humanized design, long service life but low cost. The main shaft and the grinding roller apply oil lubrication, which has greatly extend the oiling period without frequent manual maintenance, and has saved a great many of human cost, and is of high humanity degree.

6. New-type cage powder concentrator, low power consumption of the system. Powder concentrator applies low-resistance hanging cage powder concentrator, which is of narrow grain-size sorting, high sorting efficiency, low system energy consumption, and under condition of equal materials and fineness, it is of lower power consumption and higher productivity than blade-type powder concentrator.

7. Pulse dust collector, efficient and environmental. Pulse dust collector is installed to remove ash via pneumatic force and operating automatically, which saves manual ash-removing operation, avoids powder pollution and is of excellent environmental protection effect.





1- Small bevel gear

6- Upper seal ring

11-Coupling

2- Large bevel gear

7-Grinding roller

12-Cage rotor

3- Grinding ring

8- Dust ring

13- Shovel blade

4- Lower seal ring

9- Cross arm rubber sleeve

14- Duct backplate

5- Volute lining plate

10- Grinding roller hanging bracket

15-V-belt

MB5X pendulum suspension grinding mill specifications

Model	Ring roll number (pcs)	Ring roll diameter (mm)	Grinding ring diameter (mm)	Grinding ring height (mm)	Feed size (mm)	Final size (mm)	Capacity (t/h)	Total power (kw)
MB5X98	3-4	330	1000	180 ~ 160	25	0.045-1.0	2.7-6.5	82.5-92.5
MB5X118	3-4	400	1200	210 ~ 190	25	0.045-1.0	4-9.8	126.5-150.5
MB5X138	3-4	460	1400	240 ~ 220	30	0.045-1.0	6.5-16	206-229.5
MB5X158	3-5	530 ~ 480	1600	270 ~ 250	30	0.045-1.2	9-23	293.5-329.5
MB5X178	4-5	600 ~ 540	1800	310 ~ 280	35	0.045-1.2	11-25	390-437
MB5X198	4-5	670 ~ 600	2000	340 ~ 320	35	0.045-1.2	15-32	492-560
MB5X218	4-5	730 ~ 660	2200	370 ~ 350	40	0.045-1.5	19-38	623.5-703.5
MB5X238	4-6	800 ~ 620	2400	400 ~ 380	45	0.048-1.5	26-60	777-897
MB5X268	4-6	900 ~ 700	2700	450 ~ 420	50	0.053-1.5	36-75	1005-1120
MB5X298	4-6	1000 ~ 780	3000	500 ~ 460	55	0.058-1.5	48-83	1247-1407

Note: Heap specific gravity in accordance with $1.6t / m^3$, inlet width size $\geq 600mm$ for large, medium-sized 300-600mm.





The Strength of Kefid

Kefid Machinery is a leading and pioneering enterprise with the most advanced international level in R&D, manufacturing and selling of large-scale crushing & screening plants and beneficiation plants. Located in a historic city and transportation hub in central China-Zhengzhou, covering 140 thousand square meters, Kefid has Shangjie and High-tech zone two production bases. Shangjie Zone which covers 80,000 square meters has three heavy-duty and modern integrated assembling workshops--occupying 50,000 square meters; High-tech zone has 22 floors R&D Management laboratory building with 26,000 square meters, comprehensive equipments exhibition hall with 5,100 square meters, heavy-duty and modern integrated assembling workshop with 10,000 square meters, and also has the industry's most advanced machining workshop 20,000 square meters, and hundred sets of advanced large-scale vertical lathe, fixed lathe, planner, boring lathe, grinder and milling machines.



SERVICE-With Me- Enjoy your pleasant journey

Your profit is our greatest concern and your praise is the biggest compliment that we diligently strive for. Our aim is, with the core of service, tailored for you the most valuable products with comprehensive pre-sale, sale and after sale service.

Tel: 0086-371-67999255

Email: Sales@kefid.com



SPARE PARTS

Grinding Plant



Ring



Roller



Shovel Base



Hinged support



Classifier Impeller

Crushing Plant



Weights for movable



Fixed jaw plate



Movable jaw plate



Lining board



wedge

Sand-making Equipment



Circum Guard plate



Impact Plate



Impact Block



Hammer



wearproof Plate

PRODUCT LIST

Stationary Crushers

JC Series Jaw Crusher
 Jaw Crusher
 C6X Series Jaw Crusher
 Primary Impact Crusher
 CI5X Series Impact Crusher
 Impact Crusher
 CS Cone Crusher
 Spring Cone Crusher
 HPT Cone Crusher
 Deep Rotor VSI Crusher
 B Series VSI Crusher
 VSI6S vertical shaft impact crusher

VU System Equipment

Dry Sand Making System
 Dry-Mixed Mortar Sand Making Equipment
 Concrete-Use Sand Making Equipment

Grinding Mills

Ultra Fine Vertical Grinding Mill
 MB5X pendulum suspension grinding mill
 VM - Vertical Grinding Mill
 European Tech. Grinding Mill
 Micro Powder Mill
 Raymond Mill Ball Mill

Washing & Screening

F5X Heavy Vibrating Feeder
 Screw Sand Washing Machine
 Wheel Sand Washing Machine
 Vibrating Feeder
 Belt Conveyor

K series mobile plants

Primary mobile crushing plant
 Mobile Secondary Crushing & Screening Plant
 Independent Operating Combined Mobile Station
 Fine crushing and screening mobile station
 Fine crushing & washing mobile station
 Three combinations mobile crushing plant
 Four combinations mobile crushing plant

Crawler Mobile Crusher

Ore Beneficiation

Jaw Crusher
 HPT Cone Crusher
 Ball Mill
 Rotary Kiln
 Flotation Machine
 High Gradient Magnetic Separator

Address: National HI-TECH Industry Development Zone.Zhengzhou,China.

Tel : 0086-371-67999255(24 Hour) / 67988500

Fax: 0086-371-67998980

Zip code: 450001

Email:sales@kefid.com

Web: <http://www.kefid.com>

